

HELMET LIGHT

BATTERY INFORMATION & WARNINGS

For complete battery information and warnings, reference the enclosed BATTERY INFORMATION / WARNING insert in your illumination tool's original packaging or visit www.surefire.com/batteries.

ACCESSORIES

SureFire makes a full line of accessories for its illumination tools. For a complete listing, visit www.surefire.com/partsaccessories.

THE SUREFIRE NO-HASSLE WARRANTY

SureFire warrants our illumination tools, edged weapons, and pen products to be free from defects in workmanship and materials, including any LEDs housed within, for the lifetime of the original owner. We will repair, replace, or refund your original purchase price of these products, at our discretion, if it is determined by us to be defective. Electronics, chargers, and rechargeable batteries are covered for a period of two years with proof of purchase. Normal wear and tear—including lamps burning out, headbands and headpads wearing out, batteries draining, ink cartridges running out, and switches wearing out—is not covered, nor is damage resulting from misuse, abuse, neglect, battery damage, use of other than SureFire-brand batteries or accessories, or altering these products from their original state. Parts and accessories for illumination tools are not covered by this warranty.

WARRANTY DISCLAIMER

The above warranty is exclusive, and to the extent permitted by applicable laws, shall be in lieu of all other warranties, express or implied, including, without limitation, any warranty of merchantability or fitness for a particular use or purpose. SureFire disclaims any and all liability for product malfunctions, physical injuries, or property damages that result in whole, or in part, from the criminal, negligent, or improper use of the product, or from modifications or alterations thereto. In no event shall SureFire be liable for any incidental, special, or consequential damages relating to the purchase, use, or performance of any SureFire product.

WARRANTY CLAIMS

For repair or replacement contact Customer Service at 800-828-8809 (toll free) or 714-545-9444 and obtain a Return Merchandise Authorization number (RMA#). Then package the unit carefully and return (no CODs please) to:

SureFire, LLC.
Repairs Department, RMA# _____
17680 Newhope, Suite B
Fountain Valley, CA 92708

SureFire will pay any reasonable shipping costs to return the unit to you.

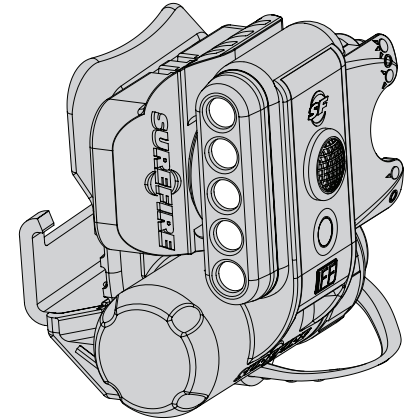
Revision B 7 -2010
HL-1
71-01-809
Patent Pending
RE40125

SUREFIRE®

HELMET LIGHT

WHITE / IR VARIABLE-OUTPUT LED
HANDS-FREE LIGHT

HL1-A-TN CS
HL1-A-TN
HL1-B-TN
HL1-C-TN
HL1-D-TN



SUREFIRE®

18300 MT. BALDY CIRCLE,
FOUNTAIN VALLEY, CA 92708-6122
WWW.SUREFIRE.COM
800-828-8809

FC SUREFIRE HELMET LIGHT

This unit has CE approval



PATENT PENDING

USER MANUAL

HELMET LIGHT

INTRODUCTION

The SureFire Helmet Light is a lightweight, hands-free illumination tool featuring solid-state white/colored/infrared LEDs available in several color combinations. It also has a single tertiary blinking infrared LED that acts as an IFF (identity friend or foe) beacon. Helmet Light attaches to the side of any TC 2000 Modular Integrated Communications Helmet (MICH) via its included, ambidextrous ratchet mount, which allows the light to be rotated 360 degrees when attached. Its ergonomic switching can be easily accessed and operated, even while wearing heavy gloves. The unit is water-tight and utilizes a single 123A lithium battery to power its six LEDs at multiple power levels:

- Primary LEDs – Three 5mm LEDs in white (A, B & C models) or yellow-green (D model) with low, medium, and high output levels.
- Secondary LEDs – Two 5mm LEDs in blue (A model), infrared (B and D models), or red (C model), with low, medium and high output levels.
- Tertiary Infrared IFF Beacon – one 3mm IR LED with continuous blinking output.

White LEDs are for general-purpose, close-work illumination. Colored LEDs serve the same purpose but with a lower light signature that doesn't compromise night-adapted vision. Infrared LEDs are for use with night vision devices (NVDs). The solitary blinking infrared LED (IFF beacon) is for identification/location purposes.

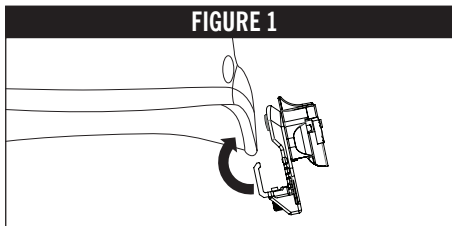
Helmet Light can be easily removed from its mounting bracket for servicing or transferring to another helmet. It can also be used as a handheld illumination tool or attached to any MOLLE or ALICE service vest, using its Z71 Vest Clip (not included).

KIT CONTENTS:

- Helmet Light
- Ratchet Mount
- Hex Wrench
- Three Set Screws (installed)
- SF123A Lithium Battery (installed)
- User Manual

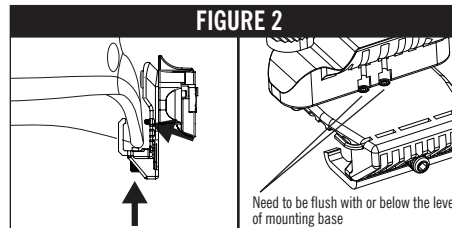
INSTALLATION OF MOUNT & HELMET LIGHT

1. Remove the included hex wrench from the ratchet mount. Slide Ratchet Mount base over the rim of either side of helmet beneath the ear area (Figure 1), with the Mounting Bracket on the inside and the rotating section of mount on the outside of helmet.

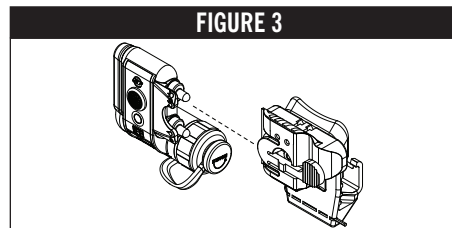


2. Tighten Set Screws with Hex Wrench through the access holes by turning clockwise until Ratchet Mount is locked securely in place. Set Screws MUST be flush with or below the level of the mounting base in order for Ratchet Mount to rotate (Figure 2).

NOTE: If Set Screws protrude above the base when tightened, two small holes must be drilled into the helmet to allow the Set Screws to be flush with or below the level of the mount's base.



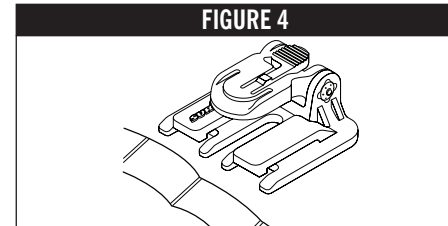
3. Tighten bottom Set Screw with a flathead screwdriver by rotating clockwise until secure. (Figure 2)
4. To attach the Helmet Light to the Ratchet Mount, line up male U-shaped mount on light with the female U-shaped receptor on the mount's face and slide the light on until it clicks and locks into place. (Figure 3)



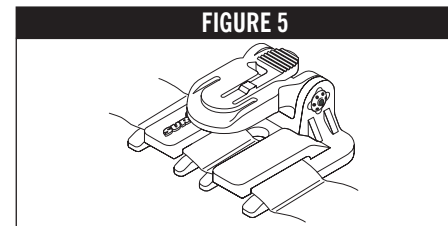
5. To change orientation of Helmet Light, simply rotate the Ratchet Mount to any of the 20 preset positions in its 360-degree range of motion.
6. To remove Helmet Light from the mount, push down on the release button and hold down while sliding the Helmet Light off.

ATTACHING HELMET LIGHT TO MOLLE & ALICE SERVICE VESTS WITH OPTIONAL VEST CLIP

1. Line up the feet of Vest Clip with the open loops on your MOLLE or ALICE service vest. (Figure 4)



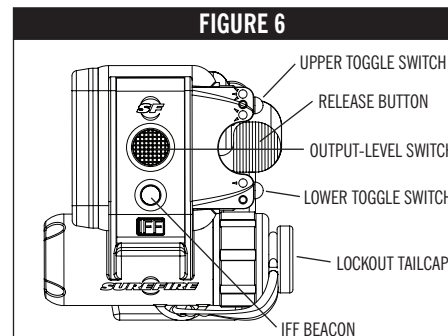
2. Slide clip until loop webbing is between the slots of the clip's feet and clip locks into place. (Figure 5)



3. Attach the Helmet Light by lining up the light's male U-shaped mounting extrusion with the female U-shaped receptor on the Vest Clip and slide light on until it locks into place.
4. To remove Helmet Light from clip, push the release button and hold down while sliding the Helmet Light downward.

HELMET LIGHT OPERATION

1. Helmet Light is shipped preloaded with a battery, with its lockout tailcap "disabled" to prevent accidental activation during transport. **To enable** the Helmet Light, rotate the lockout tailcap clockwise until fully engaged. **To lock out**, rotate tailcap counterclockwise until light will not activate when operated per instructions below.



2. The upper toggle switch (Figure 6) activates the primary and secondary LEDs for constant light. Press the toggle switch up to activate the primary LEDs. Press the toggle switch down to activate the secondary LEDs. Middle position is "off."
3. With primary or secondary LEDs activated, press the output-level switch (Figure 6) to cycle the light output between low, medium, and high. This function is for the primary and secondary LEDs only.
4. The lower toggle switch activates the infrared IFF beacon. Press the toggle switch up to activate the beacon. The IFF will flash to indicate activation. Press the toggle switch down to deactivate the IFF beacon.

BATTERY REPLACEMENT

Unscrew lockout tailcap by rotating counterclockwise and remove and properly dispose of depleted battery. Insert new battery into compartment, positive (+) terminal forward, and screw tailcap back on by rotating clockwise.

MAINTENANCE

To clean, wipe with a clean, damp cloth and wipe or air dry. If water enters the battery compartment, wipe or air dry. If salt water enters the battery compartment, clean with a cloth dampened with fresh water, making sure no excess water enters the main body, and then air dry.